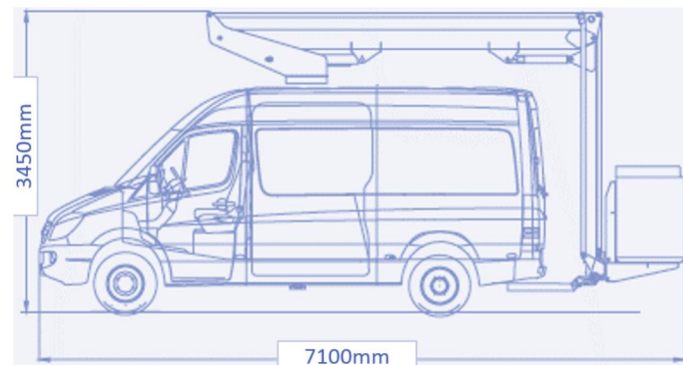
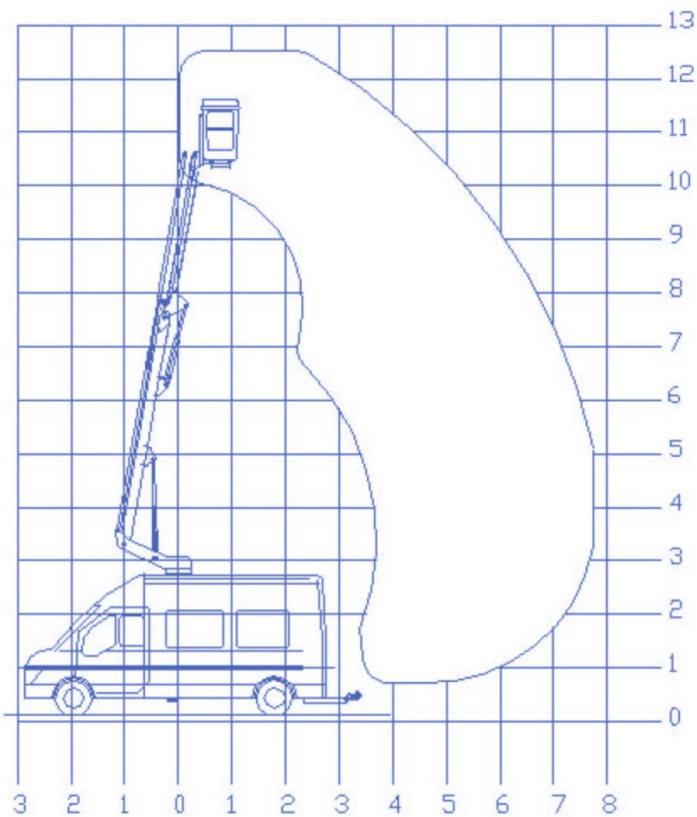


12.5m working height reverse-articulated boom on 3.5t+ GVW panel van



12.5m working height reverse-articulated boom on 3.5t+ GVW panel van



KEY SPECIFICATIONS

Maximum working height	12.5m
Horizontal reach	7.7m
SWL in platform (2 person)	230kg
Platform size (1.1m high)	0.8 x 1.3 m
Turret rotation	360 deg.
Minimum vehicle GVW	3500kg
Typical wheelbase	3520mm
Stabiliser spread	2.6m
Power source.....	PTO on vehicle
Kerb weight (no crew) approx.....	3300kg

STANDARD FEATURES

- Direct hydraulic proportional controls
- Walk-in polyethylene cage with full height door
- Two hydraulic stabilisers operated from cab
- Two section all steel articulated boom
- 12V DC auxiliary power pack for emergency operation
- Stabiliser/boom and PTO/handbrake interlocks
- Warning lights for : booms-not-stowed, stabilisers-not-stowed and PTO engaged

OPTIONS

- Amber beacons on cab roof
- Removeable spotlight at platform
- Hi-viz warning chevrons to vehicle and/or platform
- 110v power cable load bay to cage
- Reverse alarm with night-silent facility
- Rear view camera
- Electric wash hand basin in load bay

TYPICAL VEHICLES

- Iveco Daily 35S12 3520mm wheelbase H2 van
- Ford Transit 350 L2 H2 RWD panel van