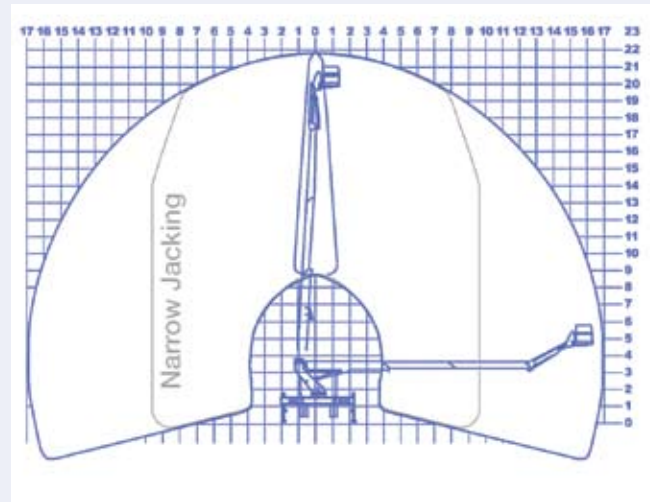






Ascendant 22-17 Truck Mounted Telescopic Access Platform



Special features

3 stage telescopic boom plus 2.4m flyboom with 125° operating arc.

Full pressure proportional hydraulic controls at platform and base.

Engine stop start at platform controls
One-sided jacking facility.

DC power pack plus handpump emergency operation.

Jacks/boom and PTO/handbrake interlocks.

Cab and jack collision protection.

Warning lights for:

- booms not stowed
- jacks not stowed
- insufficient jack ground pressure
- cab protection area
- Jack mode indicator

Vehicle specifications

Maximum working height	22.0m
Maximum platform height	20.0m
Max. working outreach	17.0m
Outreach with narrow jacking	10.0m
SWL	280kg
Platform dimensions	1.0 x 1.8 x 1.1m
Platform rotation	160°
Jack width	4.1m
One sided jack option	2.2m
Narrow jack option	2.2m

Typical chassis

GVW.....	7500kg
Wheelbase	4500mm
Travel length	8.7m
Travel width	2.4m
Travel height	3.5m

